

R22-SERIES

200ps [147kW] per ISO 8665

Distributed by:

Diesel Power AB
POWER SOLUTIONS



Solenoid controlled common rail injection system delivers 200PS and 44kg·m torque from the 2.2 liter In-line 4 CRDi engine.

The common rail multiple injection features make the In-line 4 R-series more environmentally friendly by minimizing the emissions of particulates and NOx.

The designs optimize fuel injection and intake porting to improve combustion performance, particularly low-temperature combustion stability through lean air-fuel rationing.

This ensures that we satisfy the world's strictest exhaust emission standards while providing the smooth, quiet and efficient power for which Hyundai SeasAll is becoming known.

Technical Descriptions

Engine

- Cast iron engine cylinder block
- Aluminum head
- Oil cooled pistons
- In-line 4, 16-valve DOHC
- Hydraulic lash adjusters
- Intergated water jacket
- Balance shaft
- Drive belt auto a tensioner
- Single serpentine belt system

Engine Mounting

- Adjustable engine mounts

Lubrication System

- Electric oil extraction pump
- Easily exchangeable oil filter cartridge
- Seawater cooled transmission oil cooler

Fuel System

- Common Rail Direct Injection (CRDi)
 - Solenoid injector with 2,000 bar
- Fuel filter with sensor detecting water in fuel
- Dual pressure control valve

Electrical System

- 12 volt system and 150A alternator
- Auxiliary engine stop button
- Ceramic glow plugs for a trouble – free cold start
- NMEA2000 Converter (Optional)
- Electronic control system (Optional)

Cooling System

- V-ribbed drive belt for seawater pump
- Seawater cooled intercooler, heat exchanger
- Easily exchangeable rubber impeller
- Corrosion resistant material for the seawater circuit

Turbocharger

- E-VGT, Electrical Variable Geometry Turbocharger

Engine Operating Indicator (EOI)



- Engine self protection and diagnosis
- Displays CAN information
- Displays engine diagnostic error codes
- Audible alarm and control lamps

Air Inlet system

- Oil wetted and reusable air filter
- Crankcase gas vented into the air inlet

Exhaust System

- Engine coolant cooled exhaust manifold
- Seawater cooled exhaust elbow

Emissions

- US EPA Tier-III, IMO Tier-II, EU RCD Stage-II compliant

Scope of Supply

1. RATINGS

S4	SPECIAL PLEASURE DUTY SPECIAL LIGHT DUTY COMMERCIAL
S5	PLEASURE DUTY

2. GAUGES

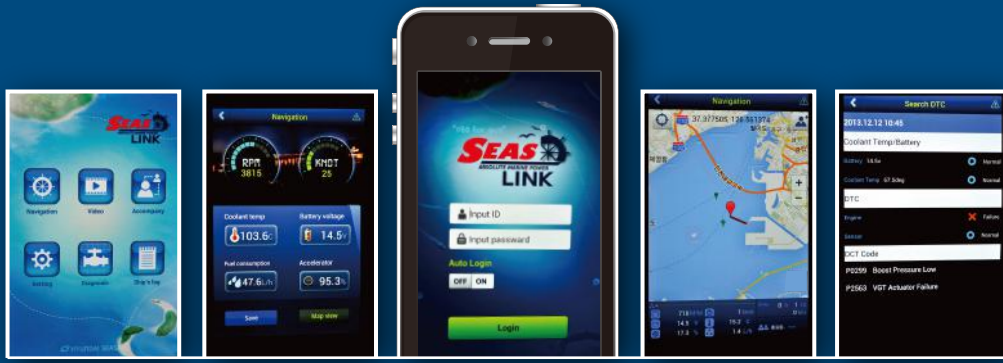
Key switch assembly, tachometer

* Factory-installed option,

** Standard or optional depending on market.

		RATINGS 1	OPERATION MANUAL	EOI (Engine Operation Indicator)	SeasAllink	GAUGES 2	COUPLER	ENGINE OIL EXTRACTION PUMP	SEA WATER PUMP *	POWER STEERING PUMP *	BEARING HOUSING ASSEMBLY *	EXHAUST ELBOW (WATER COOLED)	EXHAUST PIPE (FOR STERNDRIVE)	EXHAUST HL RISER *	TWO-POLE (INSULATED SYSTEM) *	INSTRUMENT PANEL	NMEA2000 CONVERTER	ELEC. CONTROL SYSTEM	STEERING WHEEL	MECH. CONTROL LEVER	SAFETY STOP SWITCH	HELM-90° BEZEL+CABLE	ALU PROP	SS PROP	HYDRAULIC STEERING SYSTEM
R200S	S5,S4	●	●	○	●	●	●	●	●	●	●	●	●	●	○	○	○	○	○	○	○	○	○	○	●
R200S-BRAVO 1X, 2X, 3X	S5,S4	●	●	○	●	●	●	●	●	●	●	●	●	●	○	○	○	○	○	○	○	○	○	○	●
R200P	S5,S4	●	●	○	●	●	●	●	●	●	●	●	●	●	○	○	○	○	○	○	○	○	○	○	●
R200P-ZF45A	S5,S4	●	●	○	●	●	●	●	●	●	●	●	●	●	○	○	○	○	○	○	○	○	○	○	●
R200J	S5,S4	●	●	○	●	●	●	○	○	●	●	●	●	●	○	○	○	○	○	○	○	○	○	○	●
R200J-ZF45C	S5,S4	●	●	○	●	●	●	●	●	●	●	●	●	●	○	○	○	○	○	○	○	○	○	○	●

● : Standard / ○ : Option / - : N/A / S = Sterndrive / P = Propeller Shaft / J = Water Jet



SEAS LINK
ABSOLUTE MARINE POWER

ON THE SMARTER PHONE

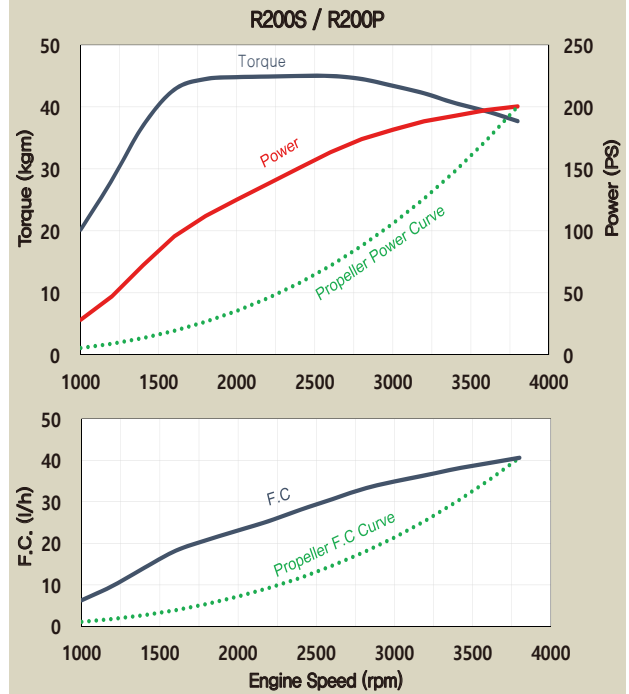
- Displays Engine Information
- Displays Boat Track on the Map
- Monthly User's Log Information
- Engine Diagnostic Functions
- Audible Warning Alarm and Visual Pop-up Screen



Specifications

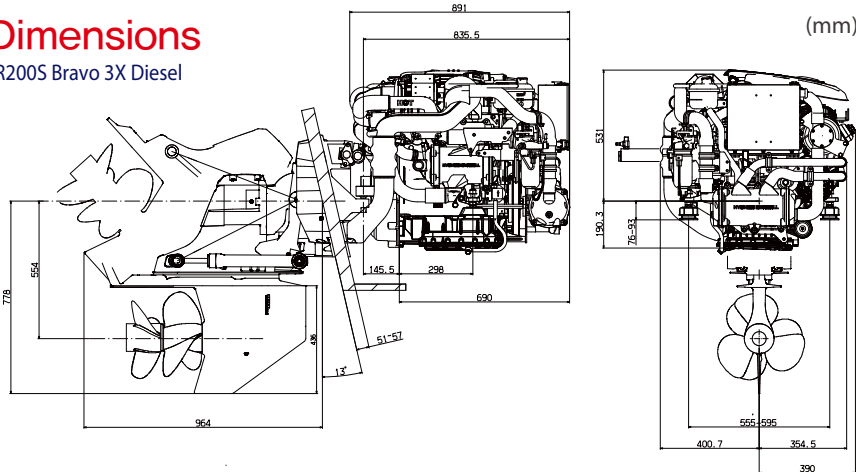
Engine type	R200S	R200P	R200J
Propulsion system	Sterndrive	Shaftdrive	Waterjet
Engine Duty Rating	Special Light Commercial (S4)/Pleasure Duty (S5)		
Configuration	4-Stroke, 16-Valve DOHC, E-VGT with Intercooler, Fresh Water Cooling		
Output [PS (kW)]	200 (147)		
Rated rpm	3,800		
Cylinders	In-line 4		
Displacement [cc]	2,199		
Bore X Stroke [mm]	85.4 X 96		
Max. Torque @ rpm	44.0 kg-m @ 2,000rpm		38.0 kg-m @ 3,600rpm
Injection System	Common Rail Direct injection (CRDi) - Solenoid Injector		
Alternator	12V-150A		
Engine Diagnostics	YES		
Max Fuel Consump[l/h]	39.9		
Dry Weight [kg]	280		
Flywheel	Hyundai Unique		
Flywheel Housing (P/J type)	BorgWarner Flange		

Performance Curves



Dimensions

R200S Bravo 3X Diesel



R200P ZF 45A

R200J ZF 45C

