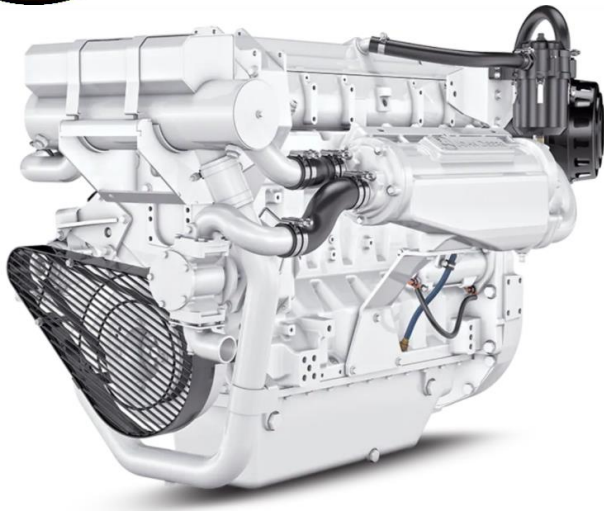




JOHN DEERE

6135SFM85 M5 Marine Diesel



Hästkrifter / kW: 750hk / 559kW
 Max rpm: 2200
 Konfiguration: Rak 6cyl, 13,5L
 Borrning och slag: mm 132 x 165
 Aspiration Turbo - intercooler
 Laddluftkylare
 Max längd: mm 1819
 Sprängkåpa: SAE 1
 Höjd: mm 1266
 Höjd, vevaxelns mittlinje till topp: mm 902
 Höjd, vevaxelns mittlinje till botten: mm 364
 Vikt, torr: kg 1426

Pris: 580.000:- inkl. moms (se spec. nr: C254762)

John Deere motorer är tillförlitliga, tysta, bränslesnåla och ger utmärkt manövreringsförmåga tack vare högt vridmoment redan från låga varvtal.

John Deere har sedan 1949 tillverkat över 5 miljoner dieselmotorer för marin och offroad applikationer.

Motorerna levereras skräddarsydda med flera valmöjligheter för elsystem, generatorstorlek, svänghjulsåpa, kylningstyp och placering av servicepunkter.

Sortimentet på John Deere 6135 sträcker sig från 365 hk till 750hk.

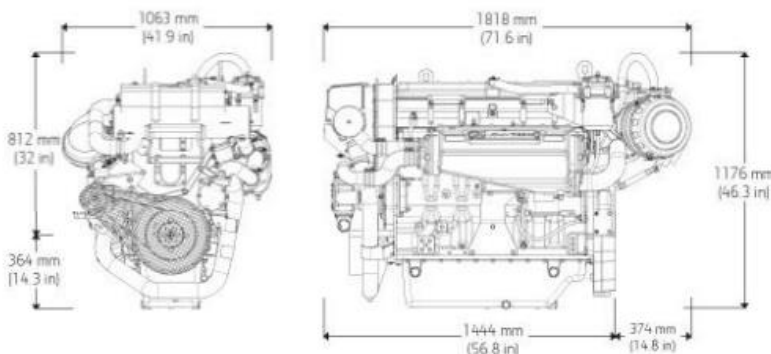
Tillförlitlig kraft och säkerhet för tuffa krav får du om du väljer John Deere.

Produktinfo:

- M1 rating obegränsat årligt användande
- SAE 2 housing and SAE 11 1/2" disc
- Motorfästen
- Motorkudde 4st
- Instrument panel (Generation II Marine Electronics)
- Kablage ECU till instrumentpanel, 9m) (Gen II M. E.)
- Kablage Motor till ECU, 3 ft (1M) (Gen II M. E.)
- Kickback Start and Transfer Pump Relay, 12-volt
- 12V
- Blöta avgaser med värmeväxlare

Tillval & tillbehör:

Backslag Dong-I DMT 260HL pleasure duty 2.06, 2.5, 2.92 & 3.26:1	147.900:-
24v & 2polig el	5.329:-
Torra avgaser (istället för blöta)	- 11.240:-
Motorolja 20L JD Plus II 15W-40	1.700:-
Kylarvätska 20L Cool-Gard II PG 20 I, färdigbl.	1.830:-
Oljefilter	300:-
Bränslefilter kit (primary and final filter 2 & 10mic	1.150:-
Impellerkit	2.020:-
Zinkanod + plugg	266:-



Diesel Power AB

Kungsparksvägen 21
SE-434 39 Kungsbacka

Tel: +46 31-748 62 00
info@dpower.se

General Data

Model	6135SFM85		
Number of Cylinders	6		
Bore	132 mm	5.20 in	
Stroke	165 mm	6.50 in	
Displacement	13.5 L	824 in ³	
Compression Ratio	16.0:1		
Valves per Cylinder, Intake/Exhaust	2/2		
Combustion System	Direct injection		
Firing Order	1-5-3-6-2-4		
Engine Type	In line, 4 Cycle		
Aspiration	Turbocharged and Aftercooled		
Aftercooling System	Seawater cooled		
Engine Crankcase Vent System	Closed		

Cooling System*

Jacket Water Heat Rejection**	368 kW	20946 BTU/min
Aftercooler Heat Rejection	164 kW	9335 BTU/min
Coolant Flow	299 L/min	79 gal/min
Min. Coolant Pump Inlet Pressure	30.3 kPa	4.4 psi
Thermostat Start to Open	82 °C	180 °F
Thermostat Fully Open	92 °C	197 °F
Engine Coolant Capacity, HE	38 L	10 gal
Min. Coolant Fill Rate	12 L/min	3.2 gal/min
Min. Pressure Cap	110.3 kPa	16 psi
Max. External Coolant Restriction	40 kPa	5.8 psi
Normal Operation Max Top Tank Temperature	100 °C	212 °F
≤ 5% of Total Operating Time Top Tank Temperature	100-105 °C	212-230 °F
Absolute Max Top Tank Temperature	105 °C	221 °F
Return Fuel Heat Rejection	1 kW	80 BTU/min
Engine Radiated Heat	37 kW	2091 BTU/min

Fuel System

ECU Description	L15		
Fuel Injection Pump	EUI		
Governor Type	Electronic		
Volumetric Fuel Consumption	146 L/hr	38.7 gal/hr	
Mass Fuel Consumption	124 kg/hr	274 lb/hr	
Total Fuel Volumetric Flow	214 L/hr	56.5 gal/hr	
Total Fuel Mass Flow	182 kg/hr	401 lb/hr	
Max. Fuel Inlet Restriction*	30 kPa	120 in.H2O	
Max. Fuel Inlet Pressure	24 kPa	96 in.H2O	
Max Fuel Return Pressure	35 kPa	141 in.H2O	
Normal Operation Fuel Temperature	40 °C	104 °F	
Max. Fuel Inlet Temperature	100 °C	212 °F	
Min. Recommended Fuel Line Inside Diameter	6.79 mm	0.27 in	
Min. Recommended Fuel Line Size	5 (-) AN		
Primary Fuel Filter	10 mic		
Secondary Fuel Filter	2 mic		

Lubrication System

Oil Pressure at Rated Speed	280 kPa	41 psi
Oil Pressure at Low Idle (600rpm)**	120 kPa	17 psi
Max. Crankcase Pressure	2 kPa	8 in.H2O
Maximum Installed Angle, Front Down	0 deg	
Maximum Installed Angle, Front Up	12 deg	
Engine Angularity Limits Any Direction, Continuous***	20 deg	
Engine Angularity Limits Any Direction, Intermittent***	30 deg	

Seawater Pump System

Seawater Pump Flow	417 L/min	110 gal/min
Max. Suction Lift	3 m	9.8 ft
Max. Outlet Pressure	140 kPa	20 psi
Max. Inlet Restriction	30 kPa	4 psi

Physical Data

Length to rear face of block	1335 mm	52.6 in
Length to rear face of flywheel housing (SAE #1)	1444 mm	56.8 in
Length maximum	1818 mm	71.6 in
Width maximum	1063 mm	41.9 in
Height, crank centerline to top	812 mm	32.0 in
Height, crank centerline to bottom	364 mm	14.3 in
Weight, with oil, no coolant (includes engine, flywheel housing, flywheel, and electronics)	1426 kg	3143 lb
Center of Gravity Location, X-axis From Rear Face of Block	476 mm	18.7 in
Center of Gravity Location, Y-axis Right of Crankshaft	-9 mm	-0.4 in
Center of Gravity Location, Z-axis Above Crankshaft	250 mm	9.8 in
Max. Allowable Static Bending Moment At Rear Face of Flywheel Housing (for installations up to 5-G)	814 Nm	600 lb-ft
Thrust Bearing Load Limit, Forward Continuous	5.4 kN	1214 lbf
Thrust Bearing Load Limit, Forward Intermittent	8.1 kN	1821 lbf
Thrust Bearing Load Limit, Rearward Continuous	2.5 kN	562 lbf
Thrust Bearing Load Limit, Rearward Intermittent	4 kN	899 lbf

Electrical System

Min. Recommended Battery Capacity, 12V @32 °F (0 °C)	1900 amps
Min. Recommended Battery Capacity, 24V @32 °F (0 °C)	925 amps
Starter Rolling Current, 12V @32 °F (0 °C)	920 amps
Starter Rolling Current, 24V @32 °F (0 °C)	600 amps
Min. Voltage at ECU during Cranking, 12V	6 volts
Min. Voltage at ECU during Cranking, 24V	10 volts
Max. Allowable Start Circuit Resistance, 12V	0 ohms
Max. Allowable Start Circuit Resistance, 24V	0 ohms
Electrical Component Maximum Temperature Limit	125 °C 257 °F
Maximum ECU Temperature	105 °C 221 °F

Air Intake System

Engine Air Flow	43 m ³ /min	1519 ft ³ /min
Intake Manifold Pressure	250.9 kPa	38.6 psi
Manifold Air Temperature	66 °C	151 °F
Maximum Manifold Air Temperature	87 °C	189 °F
Max. Allowable Temperature Rise, Ambient Air to Engine Inlet	17 °C	30 °F
Max. Air Intake Restriction, Clean Air Cleaner	3 kPa	12 in.H ₂ O
Max. Air Intake Restriction, Dirty Air Cleaner	6.25 kPa	25 in.H ₂ O
Min. Ventilation Area	0.265 m ²	410 in ²

Performance Data

Rated Power	559 kW	750 hp
Rated Speed	2200 RPM	
Peak Torque Speed	1700 RPM	
Low Idle Speed	600 RPM	
Rated Torque	2426 Nm	1790 ft-lb
Peak Torque	2913 Nm	2148 ft-lb
BMEP, Rated	2259 kPa	327 psi
Rated Pferdestärke (metric hp)	760 ps	
Front Drive Capacity, Intermittent	542 Nm	400 lb-ft
Front Drive Capacity, Continuous	542 Nm	400 lb-ft

Exhaust System

Exhaust Flow	97.4 m ³ /min	3440 ft ³ /min
Exhaust Flow @ gas STP	41 m ³ /min	1448 ft ³ /min
Exhaust Temperature	448 °C	838.4 °F
Max. Allowable Exhaust Restriction	7.5 kPa	30 in.H ₂ O
Max. Shear on Turbocharger Exhaust Outlet	11 kg	24.3 lb
Max. Bending Moment on Turbocharger Exhaust Outlet	7 Nm	15.4 lb-ft
Min. Exhaust Pipe Diameter, Dry	152.4 mm	6.0 in
Min. Exhaust Pipe Diameter, Wet	203.2 mm	8.0 in

